

SAGOLA PRODUCT DATA SHEET 1/2

CATEGORY

Pneumatic motor

MODEL

446

APPLICATION

Motor for product agitator



TECHNICAL DATA

Product sheet

Instruction manual

Part list

Video

Type	ROTATIVE
Power	1/2 H.P.
Rotation speed	0 at 300 rpm
Speed regulator	OK
Design pressure	6 bar
Working pressure	2 - 6 bar
Operating temperature	Ambient temperature (max. 50°C)
Air inlet	1/4"x19h" BSP
Air outlet	1/4" BSP
Silencer filter	OK
Air flow at 6 bar	350 L/min
Greasing	YES (every 100h.)
Rotating angle	-
Dimensions	185 x 150 x 130 mm.
Weight	5.2 Kg

VERSIONS

Code	10510101
------	----------

SAGOLA PRODUCT DATA SHEET 2/2

CATEGORY

Pneumatic motor

MODEL

446

APPLICATION

Motor for product agitator



MAIN PARTS

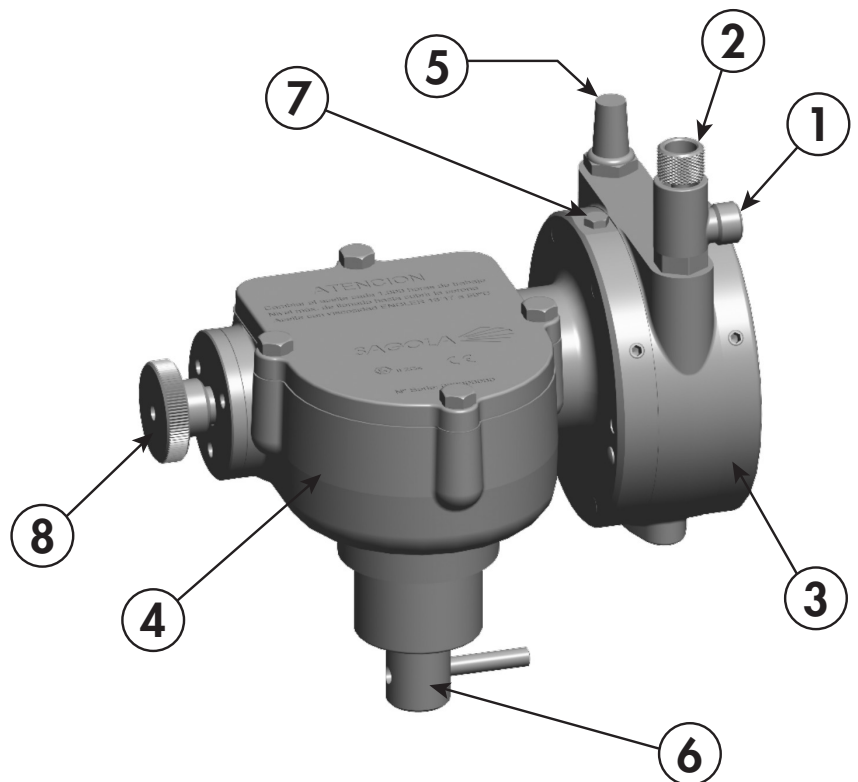
Product sheet

Instruction manual

Part list

Video

1	Air inlet
2	Rotating speed regulator
3	Rotatin pneumatic motor
4	Motor reducer
5	Silencer filter
6	Mooring shaft to the agitator
7	Oil greaser
8	Checking wheel



More info in
www.sagola.com