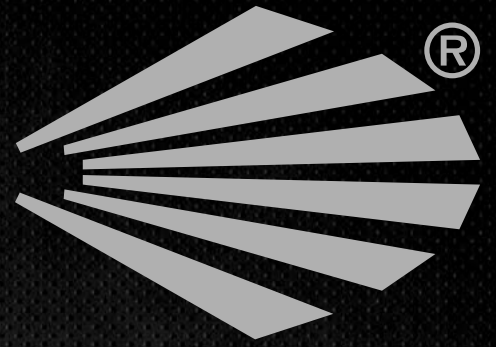


SAGOLA



an Elcometer company



QUICK COUPLINGS AND CONNECTORS



w w w . s a g o l a . c o m

US-MIL
Range
Plugs

EURO-PROFILE
Range
Plugs

MULTI-PROFILE
Range
Plugs

NITTO
Range
Plugs

The **new range of plugs SAGOLA** presents **cutting-edge design**. **SAGOLA** offers a wide range that gives cover 100% of market requirements. Is incorporated **security versions**.

All steel and aluminum plugs are BSP; Males (BSPT) and females (BSPP). Plug body made of treated steel and valve made of brass. So a guaranteed **life of more than 1,500,000 uses**.

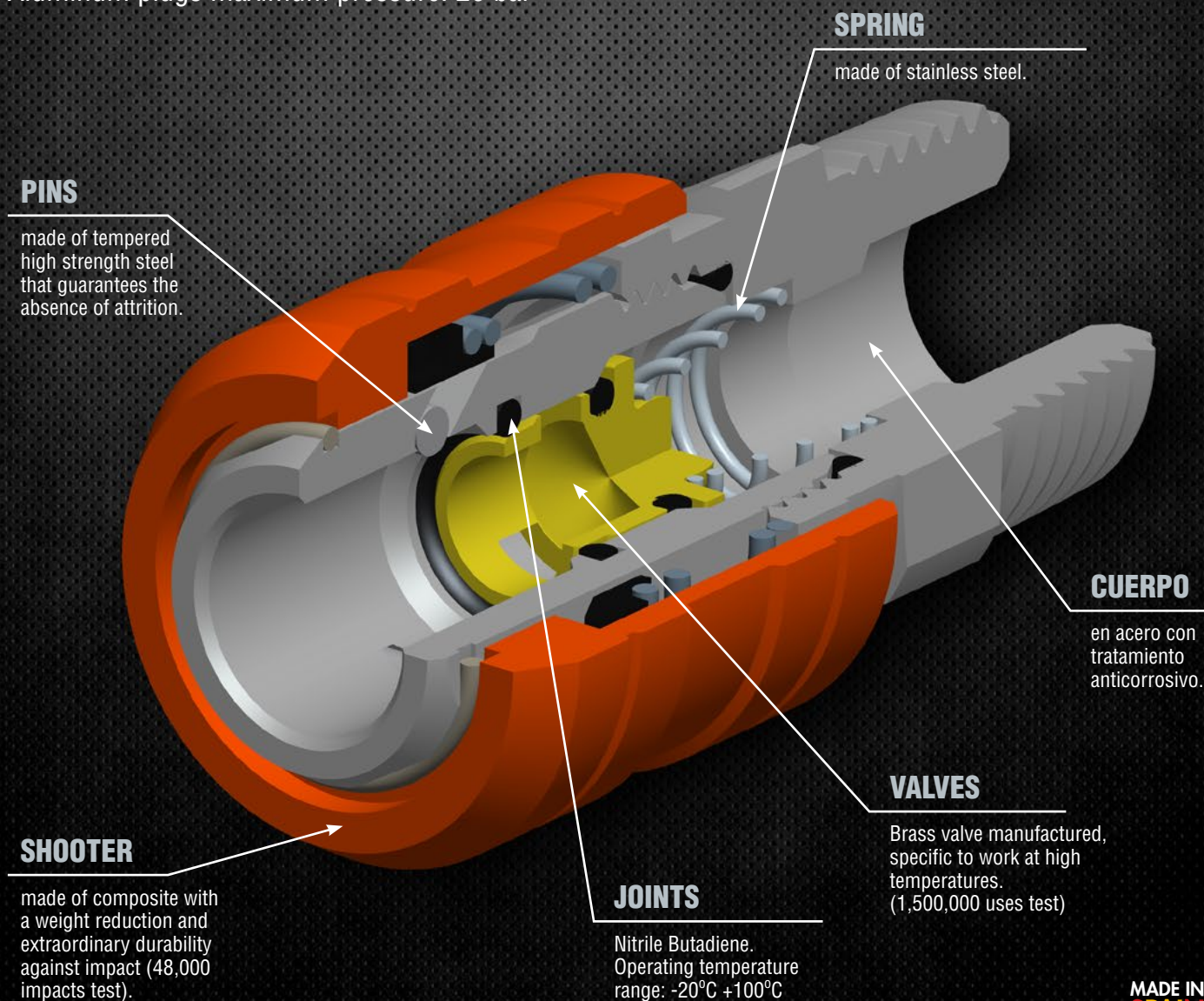
The new range of plugs **SAGOLA** incorporates a handle made of composite, which gives a **high resistance** to both **attrition** and **drag**.

Attrition resistance tested in more than **48,000 impacts** and the equivalent to a **crawl 12 km**.

Maximum pressure: 25 bar

Europerfil maximum pressure: 15 bar

Aluminum plugs maximum pressure: 20 bar



ALUMINUM PLUGS

ISO 6150

US-MIL range

Ultra-lightweight. 45 g. Body and shooter made of high strength aluminum.
Valve made of brass. Pins made of high strength steel.
Air coupling: 1/4" Flow: 68 m³/h. - 1,133 L/min.



CODE	Designation	Unidades
11010531	Enchufe ligero aluminio MACHO BSPT 1/4" US-MIL	1 ud.
11010431	Enchufe ligero aluminio HEMBRA BSPT 1/4" US-MIL	1 ud.
11010629	Enchufe ligero aluminio ESPIGA 8 mm. US-MIL	1 ud.

STEEL AND POLYMER PLUGS

ISO 6150

US-MIL range

Simple shutter plug, made of hardened steel with gasket made of Nitrile Butadiene.
Its excellent sealing prevent dirt penetrates inside. High strength sleeve.
Anti-whiplash **SAFETY plug**  according to ISO 4414. Two movements (push-pull) to disconnect.
Air coupling: 1/4" Flow: 68 m³/h. - 1,133 L/min.



CODE	CODE	Designation	Version	Units
11010524	11010528	Steel plug MALE	BSPT 1/4" US-MIL	1 u.
11010525	11010529	Steel plug MALE	BSPT 3/8" US-MIL	1 u.
11010526	11010530	Steel plug MALE	BSPT 1/2" US-MIL	1 u.
11010527		Steel plug MALE	BSPT 1/4" US-MIL	25 u.



CODE	CODE	Designation	Version	Units
11010424	11010428	Steel plug FEMALE	BSPP 1/4" US-MIL	1 u.
11010425	11010429	Steel plug FEMALE	BSPP 3/8" US-MIL	1 u.
11010426	11010430	Steel plug FEMALE	BSPP 1/2" US-MIL	1 ud.
11010427		Steel plug FEMALE	BSPP 1/4" US-MIL	25 u.



CODE	CODE	Designation	Version	Units
11010624	11010627	Steel plug BARB	8 mm. US-MIL	1 u.
11010625	11010628	Steel plug BARB	10 mm. US-MIL	1 u.
11010626		Steel plug BARB	8 mm. US-MIL	25 u.

BRASS PLUGS

ISO 6150

US-MIL range

Simple shutter plug, made of brass with gasket made of Nitrile Butadiene. Its excellent sealing prevent dirt penetrates inside. Air coupling: 1/4". Flow: 66 m³/h. - 1,100 L/min.



CODE	Designation	Version	Units
11010520	Brass plug MALE	BSPT 1/4" US-MIL	1 u.
11010521	Brass plug MALE	BSPT 3/8" US-MIL	1 u.
11010522	Brass plug MALE	BSPT 1/2" US-MIL	1 u.
11010523	Brass plug MALE	BSPT 1/4" US-MIL	25 u.



CODE	Designation	Version	Units
11010420	Brass plug FEMALE	BSPP 1/4" US-MIL	1 u.
11010421	Brass plug FEMALE	BSPP 3/8" US-MIL	1 u.
11010422	Brass plug FEMALE	BSPP 1/2" US-MIL	1 u.
11010423	Brass plug FEMALE	BSPP 1/4" US-MIL	25 u.



CODE	Designation	Version	Units
11010621	Brass plug BARB	8 mm. US-MIL	1 u.
11010622	Brass plug BARB	10 mm. US-MIL	1 u.
11010623	Brass plug BARB	8 mm. US-MIL	25 u.

STEEL AND POLYMER PLUGS

ISO 6150

Multi-Profile range

3x1 system. Simple shutter plug, made of steel with gasket made of Nitrile Butadiene. Its excellent sealing prevent dirt penetrates inside. Compatibility: US-Mil, Euro-Profile, Italian profile. Air coupling: 8 mm. Flow: 85 m³/h. - 2,000 L/min.



CODE	Designation	Version	Units
11010826	Steel plug MALE	BSPT 1/4" Multi-Profile	1 u.
11010827	Steel plug MALE	BSPT 3/8" Multi-Profile	1 u.
11010726	Steel plug FEMALE	BSPP 1/4" Multi-Profile	1 u.
11010727	Steel plug FEMALE	BSPP 3/8" Multi-Profile	1 u.
11010925	Steel plug BARB	8 mm. Multi-Profile	1 u.
11010926	Steel plug BARB	10 mm. Multi-Profile	1 u.

STEEL AND POLYMER PLUGS

ISO 6150

Nitto range

Simple shutter plug, made of steel with gasket made of Nitrile Butadiene. Its excellent sealing prevent dirt penetrates inside. **ASIA-PACIFIC market exclusive profile.**
Air coupling: 8 mm. Flow: 85 m³/h. - 2,000 L/min.



CODE	Designation	Version	Units
11011701	Steel plug MALE	BSPT 1/4" Nitto	1 u.
11011702	Steel plug MALE	BSPT 3/8" Nitto	1 u.
11011801	Steel plug FEMALE	BSPP 1/4" Nitto	1 u.
11011802	Steel plug FEMALE	BSPP 3/8" Nitto	1 u.
11011901	Steel plug BARB	8 mm. Nitto	1 u.
11011902	Steel plug BARB	10 mm. Nitto	1 u.

STEEL AND POLYMER PLUGS

ISO 6150

Euro-Profile range

Simple shutter plug, made of hardened steel with gasket made of Nitrile Butadiene. Its excellent sealing prevent dirt penetrates inside. High strength sleeve. Anti-whiplash **SAFETY plug**  according to ISO 4414. Two movements (push-pull) to disconnect. Air coupling: 7.6 mm. Flow: 85 m³/h. - 2,000 L/min.



CODE	CODE	Designation	Version	Units
11010823	1101323	Steel plug MALE	BSPT 1/4" Euro-Profile	1 u.
11010824	11011324	Steel plug MALE	BSPT 3/8" Euro-Profile	1 u.
11010825	11011325	Steel plug MALE	BSPT 1/2" Euro-Profile	1 u.
CODE	CODE	Designation	Version	Units
11010723	11011423	Steel plug FEMALE	BSPP 1/4" Euro-Profile	1 u.
11010724	11011424	Steel plug FEMALE	BSPP 3/8" Euro-Profile	1 u.
11010725	11011425	Steel plug FEMALE	BSPP 1/2" Euro-Profile	1 u.
CODE	CODE	Designation	Version	Units
11010924	11011523	Steel plug BARB	8 mm. Euro-Profile	1 u.
11010923	11011524	Steel plug BARB	10 mm. Euro-Profile	1 u.

**US-MIL
Range
Connectors**

**EURO-PROFILE
Range
Connectors**

**NITTO
Range
Connectors**

Fully compatible with earlier lines of SAGOLA plugs. The size 2 plug is the most commonly used push plug in paint and body shops, and also in industry for the connection of all kinds of pneumatic tools. Silicone free. All springs, valves and pins made of stainless steel. All SAGOLA connectors are manufactured in high carbon steel making them extremely strong and stress resistant.

STEEL CONNECTORS

ISO 6150

US-MIL range

Paso de aire: 5.5 mm. Fully compatible with earlier lines of SAGOLA plugs.
Made of high-carbon steel. Anticorrosive nickel etched finish. Connector without blocker.



CODE	Designation	Version	Units
11020420	Steel connector MALE	BSPT 1/4" US-MIL	2 u.
11020421	Steel connector MALE	BSPT 3/8" US-MIL	2 u.
11020422	Steel connector MALE	BSPT 1/2" US-MIL	2 u.
11020423	Steel connector MALE	BSPT 1/4" US-MIL	50 u.



CODE	Designation	Version	Units
11020520	Steel connector FEMALE	BSPP 1/4" US-MIL	2 u.
11020521	Steel connector FEMALE	BSPP 3/8" US-MIL	2 u.
11020522	Steel connector FEMALE	BSPP 1/2" US-MIL	2 u.
11020524	Steel connector FEMALE	BSPP 1/4" US-MIL	50 u.



CODE	Designation	Version	Units
11020523	Steel connector FEMALE	BSPP 1/4" US-MIL	2 u.



ORIENTABLE quick coupling. Exclusive rotating dial system for greater freedom of movement.



CODE	Designation	Version	Units
11020621	Steel connector BARB	8 mm. US-MIL	2 u.
11020622	Steel connector BARB	10 mm. US-MIL	2 u.
11020623	Steel connector BARB	8 mm. US-MIL	50 u.

STEEL CONNECTORS

ISO 6150

Euro-Profile range

Air coupling: 7-8 mm. High flow. Fully compatible with earlier lines of SAGOLA plugs.
Made of high-carbon steel. Anticorrosive nickel etched finish. Connector without blocker.



CODE	Designation	Version	Units
11020710	Steel connector MALE	BSPT 1/4" Euro-Profile	2 u.
11020721	Steel connector MALE	BSPT 3/8" Euro-Profile	2 u.
11020722	Steel connector MALE	BSPT 1/2" Euro-Profile	2 u.
11020810	Steel connector FEMALE	BSPT 1/4" Euro-Profile	2 u.
11020821	Steel connector FEMALE	BSPT 3/8" Euro-Profile	2 u.
11020822	Steel connector FEMALE	BSPT 1/2" Euro-Profile	2 u.
11020921	Steel connector BARB	8 mm. Euro-Profile	2 u.
11020922	Steel connector BARB	10 mm. Euro-Profile	2 u.

STEEL CONNECTORS

ISO 6150

Nitto range

Air coupling: 7-8 mm. High flow. Fully compatible with earlier lines of SAGOLA plugs.
Made of high-carbon steel. Anticorrosive nickel etched finish. Connector without blocker.
ASIA-PACIFIC market exclusive profile.



CODE	Designation	Version	Units
11021001	Steel connector MALE	BSPT 1/4" Nitto	2 u.
11021002	Steel connector MALE	BSPT 3/8" Nitto	2 u.
11021101	Steel connector FEMALE	BSPP 1/4" Nitto	2 u.
11021102	Steel connector FEMALE	BSPP 3/8" Nitto	2 u.
11021201	Steel connector BARB	8 mm. Nitto	2 u.
11021202	Steel connector BARB	10 mm. Nitto	2 u.



SAGOLA S.A.U.
Urartea 6 • 01010
Vitoria-Gasteiz (Álava) SPAIN
Tel.: (+34) 945 214 150
sagola@sagola.com
www.sagola.com